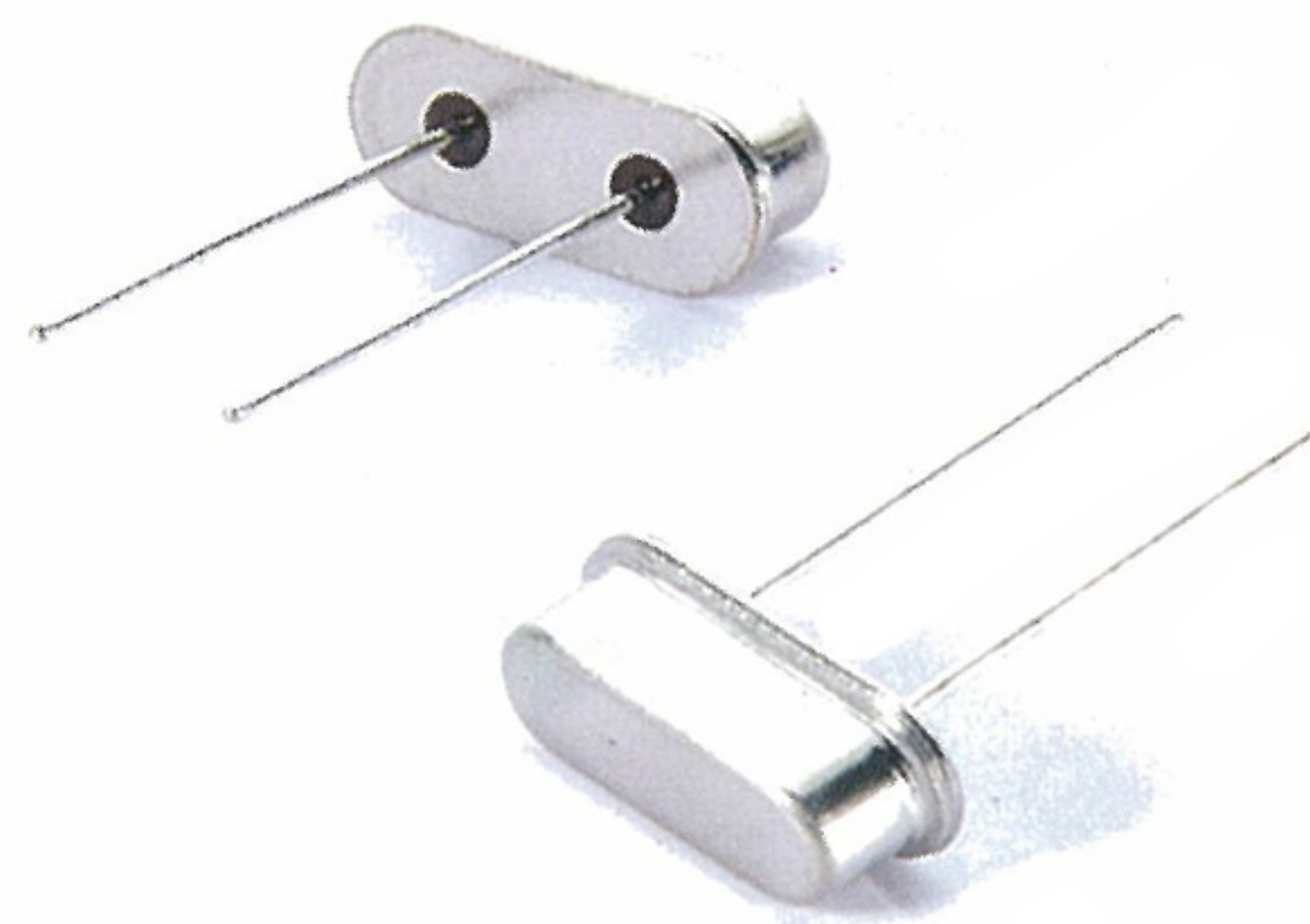
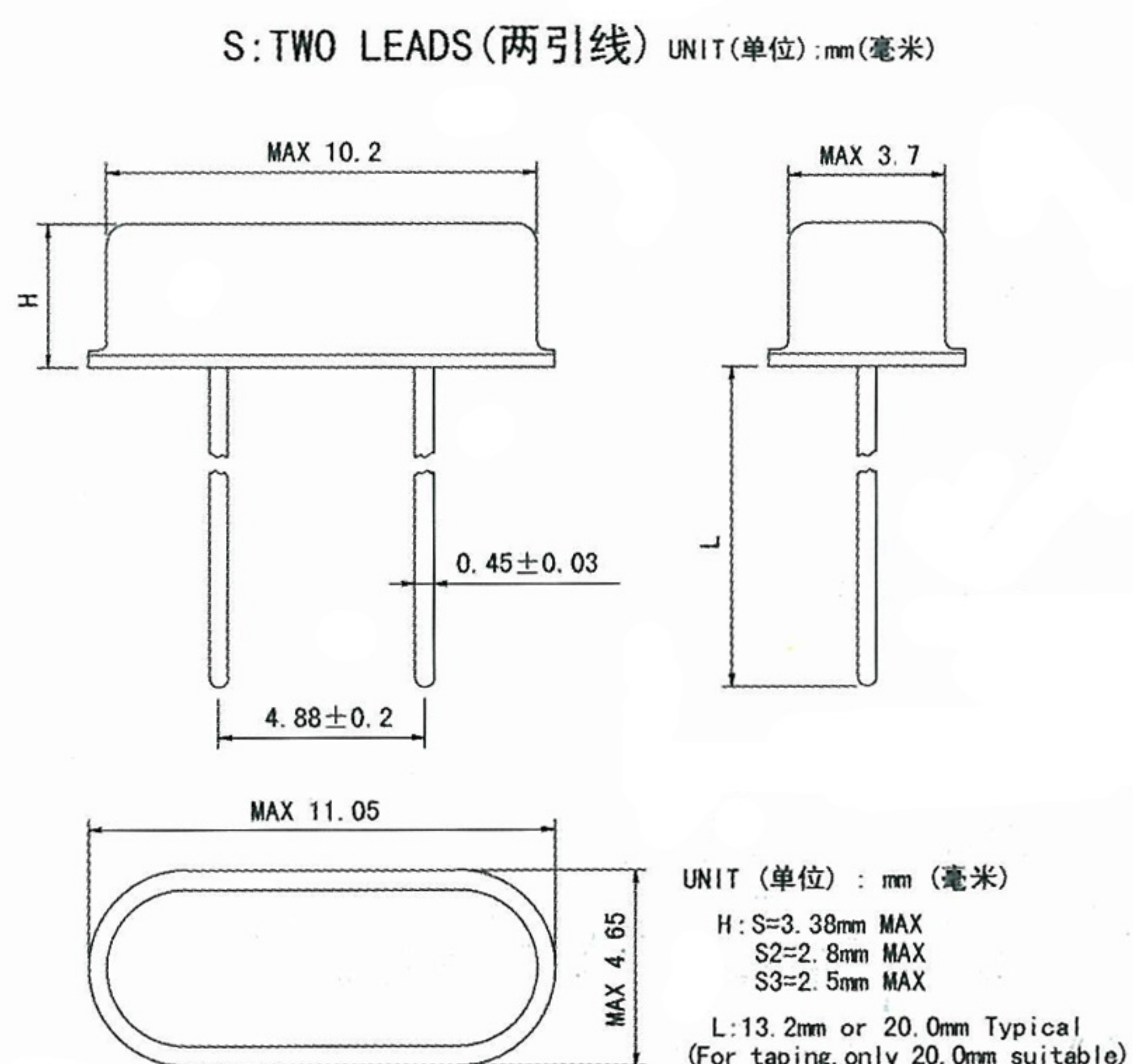


◆ Mechanical Dimensions 外型尺寸



◆ Electrical Specifications 电气参数

型号	Holder Type	HC-49U/S
频率范围	Frequency range	3.200MHz to 100.000MHz
调整频差	Frequency Tolerance (ΔF) (at 25°C)	± 10 ppm to ± 100 ppm
温度频差	Frequency Drift	± 10 ppm to ± 100 ppm
工作温度范围	Operating Temperature Range	-10°C~+60°C to -40°C~+85°C
储存温度范围	Storage Temperature Range	-40°C~+85°C/-55°C~+125°C
老化	Aging(25°C)	± 3 ppm/year Maximum
静电容	Shunt Capacitance(C_0)	7pF maximum
激励功率	Drive Level	100 μ W Typical
绝缘阻抗	Insulation Resistance(R_s)	500 Megaohms Minimum at D.C100V
负载电容	Load Capacitance(CL)	Suggested by customer

◆ Equivalent Series Resistance and Mode of Operation 等效阻抗和振荡模式

Frequency Range 频率范围	ESR(Ω) 等效抗阻	Mode 振荡模式
3.200-3.57MHz	250Max	Fundamental
3.579-4.000MHz	150Max	Fundamental
4.000-5.000MHz	120Max	Fundamental
5.000-6.000MHz	100Max	Fundamental
6.000-7.000MHz	80Max	Fundamental
7.000-10.000MHz	60Max	Fundamental
10.000-14.000MHz	50Max	Fundamental
14.000-20.000MHz	40Max	Fundamental
≥ 20.000 MHz	30/40(BT cut)Max	Fundamental
24.000-35.000MHz	100Max	Third Overtone
≥ 35.000 MHz	80Max	Third Overtone