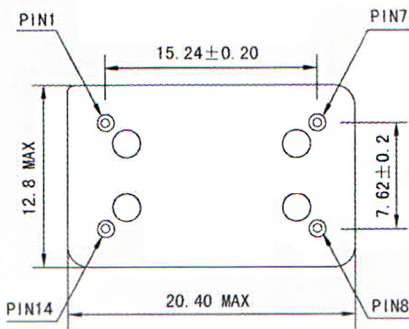
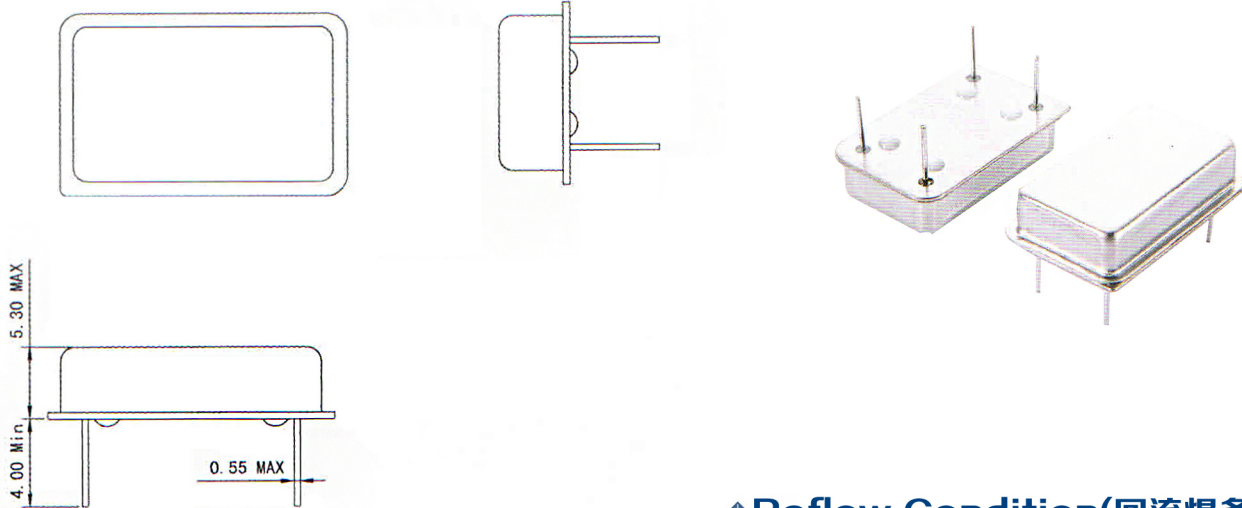
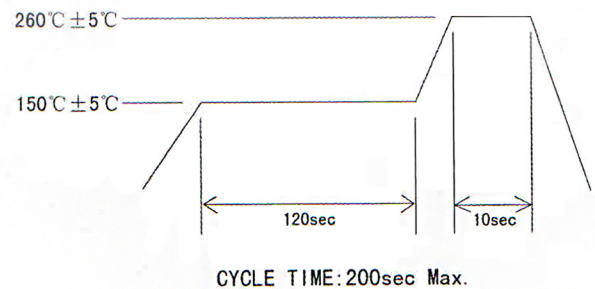


◆ Mechanical Dimensions 外型尺寸



◆ Reflow Condition(回流焊条件)



◆ Electrical Specifications 电气参数

型号	Holder Type		FULL SIZE(14PIN) VCXO	
频率范围	Frequency Range	F	1.000 to 50.000	MHz
总频差	Frequency Stability	$\Delta F/F$	$\pm 25\text{ppm}$ to $\pm 50\text{ppm}$	
输入电压	Iuput Voltage	Vdd	5.0 or 3.3 $\pm 10\%$	V
控制电压	Control Voltage	Vc	0--5.0 or 0--3.3	V
输入电流	Iuput Current	Idd	35Max	mA
工作温度范围	Operating Temperature		-10°C~+60°C to -40°C~+85°C	°C
贮存温度范围	Storage Temperature		-40~+85/-55~+125	°C
上升/下降时间	Rise/Fall Time	Tr/Tf	10Max	ns
占空比	Duty Cycle		40/60 Standard	
线性	Linearity		10%Max	
牵引量	Pullability		± 100	ppm